

E-Lumen Compact Light

RESIN-FILLED LED 100% WATER PROOF

For oncrete, vinyl and fiberglass pools



Waterproof Standard

IP68

Setting options

Niche / Nicheless

Material

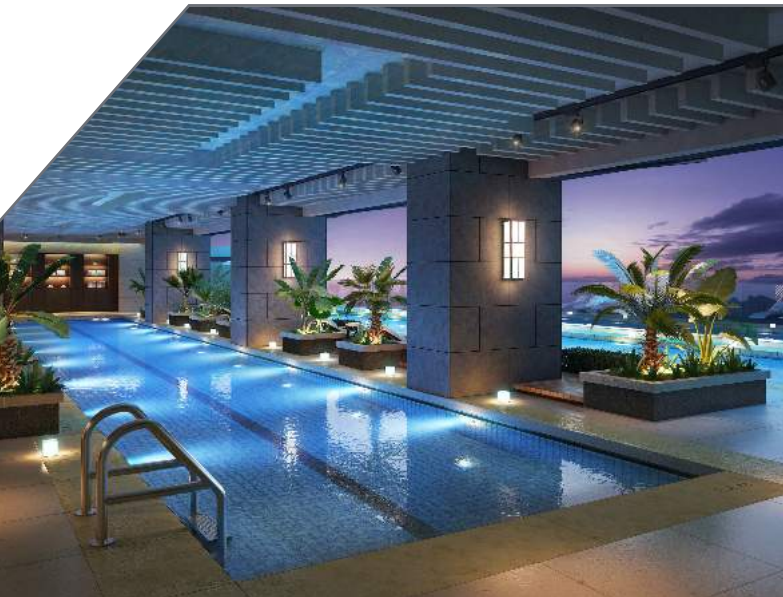
Durable ABS structure



 **Emaux**
water technology

Pool & Spa Equipments

www.emauxgroup.com



E-Lumen Compact Light comes with the resin-filled LED panel. Its efficient use of energy offers great illumination at a low power consumption. The E-Lumen Compact is available in two models: the nicheless version is designed for fiberglass or steel panel pools, while the niche version is suitable for concrete pool installation.

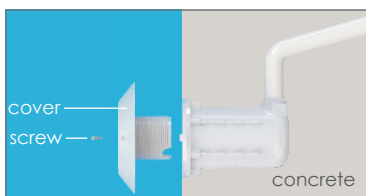
Technology & Features:

1. 100% waterproof resin-filled LED panel
2. Concrete, vinyl and fiberglass pool compatible
3. Durable ABS body with high quality polycarbonate lens
4. IP 68 Waterproof Standard

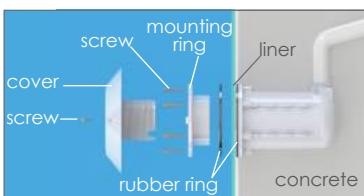
Installation:

1) NICHE VERSION

a) Concrete Pool

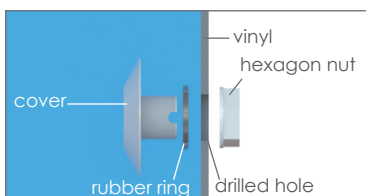


b) Concrete Pool with Liner

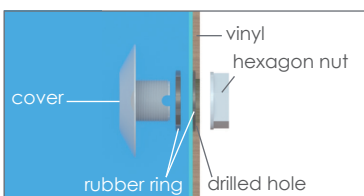


2) NICHELESS VERSION

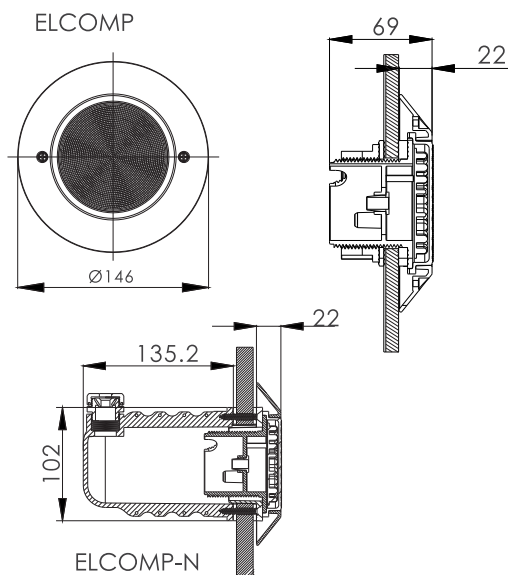
a) Fiberglass Pool



b) Steel Panel Pool with Liner



Dimensions:



Product Specifications:

Code	Model No.	Description	Watt/Voltage	Illuminance (lux)	Remarks
88048379	EL-COMP-N	Plastic Light with Housing, 99 LEDs RGB	10W/12V	90	RGB
88048380	EL-COMP-N	Plastic Light with Housing, 99 LEDs Cool White	10W/12V	200	Cool White
88048381	EL-COMP-N	Plastic Light with Housing, 99 LEDs Warm White	10W/12V	212	Warm White
88048382	EL-COMP-N	Plastic Light with Housing, 99 LEDs Single Blue	10W/12V	20	Single Blue
88048479	EL-COMP	Plastic Light Nicheless, 99 LEDs RGB	10W/12V	90	RGB
88048480	EL-COMP	Plastic Light Nicheless, 99 LEDs Cool White	10W/12V	200	Cool White
88048481	EL-COMP	Plastic Light Nicheless, 99 LEDs Warm White	10W/12V	212	Warm White
88048482	EL-COMP	Plastic Light Nicheless, 99 LEDs Single Blue	10W/12V	20	Single Blue

EMAUX WATER TECHNOLOGY CO., LTD

ADDRESS: Flat A-D, 20/F., Kai Bo 22, 22 Wing Kin Road, Kwai Chung, Hong Kong

PHONE +852 2832 9880

www.emauxgroup.com

Pool & Spa Equipments

YOUR PREMIER SUPPLIER

Available from:

ALL SPECIFICATIONS ARE SUBJECT TO CHANGE WITHOUT NOTICE
© 2021 EMAUX WATER TECHNOLOGY CO., LTD. ALL RIGHTS RESERVED.